



# NICHELATES

## Product Catalogue



We are excited to present our newest addition to the air diffuser range: NICHELATES, the silver anodised and mechanically polished aluminium series. This product line is designed to add a touch of elegance and a modern touch to domestic and tertiary environments. With a sleek design and an impeccable polished finish, these air diffusers blend perfectly with the décor styles of modern homes.

The anodised aluminium offers superior corrosion resistance, ensuring that these diffusers remain beautiful and functional over time. The glossy finish adds a luxurious touch and creates a cosy and sophisticated atmosphere in any room.

These air diffusers are not only aesthetically pleasing, they are also designed for optimal air distribution, ensuring exceptional comfort at all times. Our anodised and polished aluminium series is the ideal choice for those seeking the perfect blend between form and function.

## **Product Index**

<b>DLF</b>	04
<b>BMA</b>	14
<b>LAF</b>	22
<b>GRA</b>	30



*DLF*

## **DLF**

### **Characteristics:**

Linear slot diffusers with black deflectors.

### **Construction:**

Aluminium silver anodised and polished by mechanical process.

### **Utilization:**

For ceiling installation and for air intake and delivery.  
Installation height: 2,5-3,1 m.

### **Fixing:**

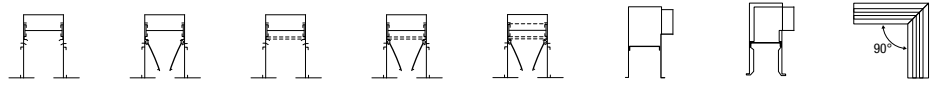
- By inner mounting mobile bracket.
- By springs inside the plenum.

### **Accessories:**

Galvanized steel connecting plenum with insulation.



## PRICES



Slots	Lenght	DLF10	DLF20	DLF30	DLF40	DLF50	PDL	PDLI	DLF90
N.	mm*	€	€	€	€	€	€	€	€
1	800	95,58	106,65	113,31	126,69	140,07	59,91	69,22	175,59
	1000	106,65	119,97	128,85	137,79	160,02	60,64	71,55	
	1500	135,54	153,36	164,43	182,22	204,48	91,01	109,67	
	2000	162,24	186,69	199,98	222,27	253,32	120,57	145,45	
2	800	126,69	148,86	164,43	186,69	213,36	59,91	69,22	231,06
	1000	142,17	171,12	186,69	213,36	242,22	60,64	71,55	
	1500	184,44	220,05	240,06	273,33	319,98	91,01	109,67	
	2000	226,68	273,33	293,37	342,24	393,33	120,57	145,45	
3	800	157,77	191,13	213,36	246,69	286,68	63,01	73,89	290,94
	1000	177,81	215,61	242,22	279,99	328,95	63,77	76,22	
	1500	231,09	286,68	315,60	371,13	433,38	94,11	113,56	
	2000	288,93	357,84	388,92	460,05	540,03	123,69	152,46	
4	800	188,91	260,01	291,12	304,47	357,84	63,01	73,89	346,65
	1000	215,61	264,45	297,81	348,84	415,41	63,77	76,22	
	1500	282,24	351,15	391,14	462,24	544,56	94,11	113,56	
	2000	348,84	442,23	482,22	575,58	677,82	123,69	152,46	

\* The lenghts are actual neck sizes

## DESCRIPTION

### PRODUCT CODE

**DLF10:** Standard diffuser (1)

**DLF20:** Diffuser with deflectors (1) + (2)

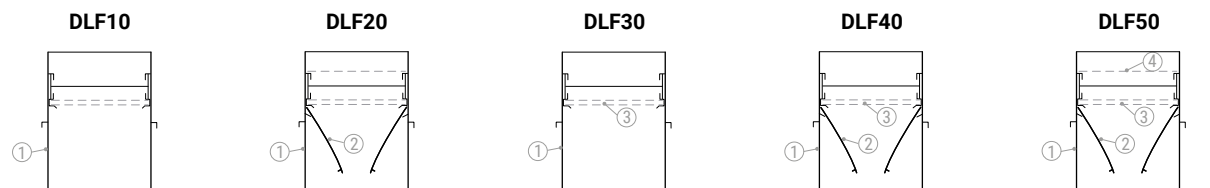
**DLF30:** Diffuser with sliding control damper (1) + (3)

**DLF40:** Diffuser with sliding control damper and deflectors (1) + (2) + (3)

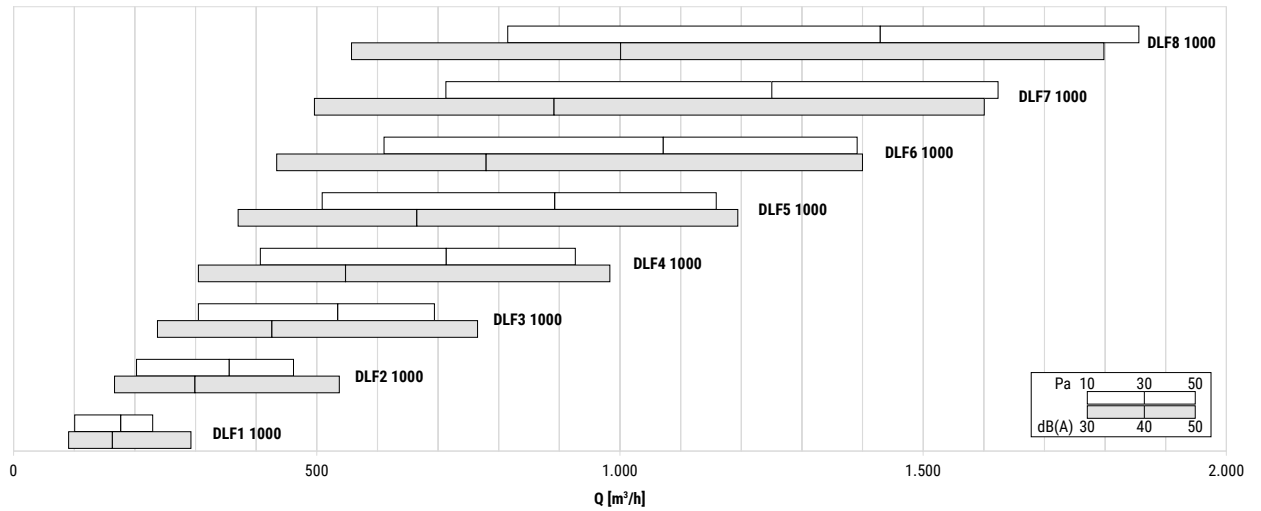
**DLF50:** Diffuser with sliding control damper, deflectors and perforated distributor (1) + (2) + (3) + (4)

DRAWINGS

---



## QUICK SELECTION DIAGRAM



## SELECTION TABLE

Model	$A_k$ [m <sup>2</sup> ]	Q [m <sup>3</sup> /h]		$L_{WA}$ [dB(A)]		$X_{(0,25)}$ [m]		$Dp_t^*$ [Pa]	
		min	max	min	max	min	max	min	max
<b>DLF1 1000</b>	0,00959	100	230	32	46	3,1	6,9	10	50
<b>DLF2 1000</b>	0,01930	200	460	33	47	4,1	9,2	10	50
<b>DLF3 1000</b>	0,02901	300	690	34	48	4,8	11,0	10	50
<b>DLF4 1000</b>	0,03872	410	930	35	49	5,6	12,5	10	50
<b>DLF5 1000</b>	0,04843	510	1160	35	49	6,1	13,8	10	50
<b>DLF6 1000</b>	0,05814	610	1390	36	50	6,6	14,8	10	50
<b>DLF7 1000</b>	0,06785	710	1620	36	50	7,0	15,8	10	50
<b>DLF8 1000</b>	0,07757	820	1860	37	51	7,5	16,9	10	50

\* Without equalizer and calibration damper completely open





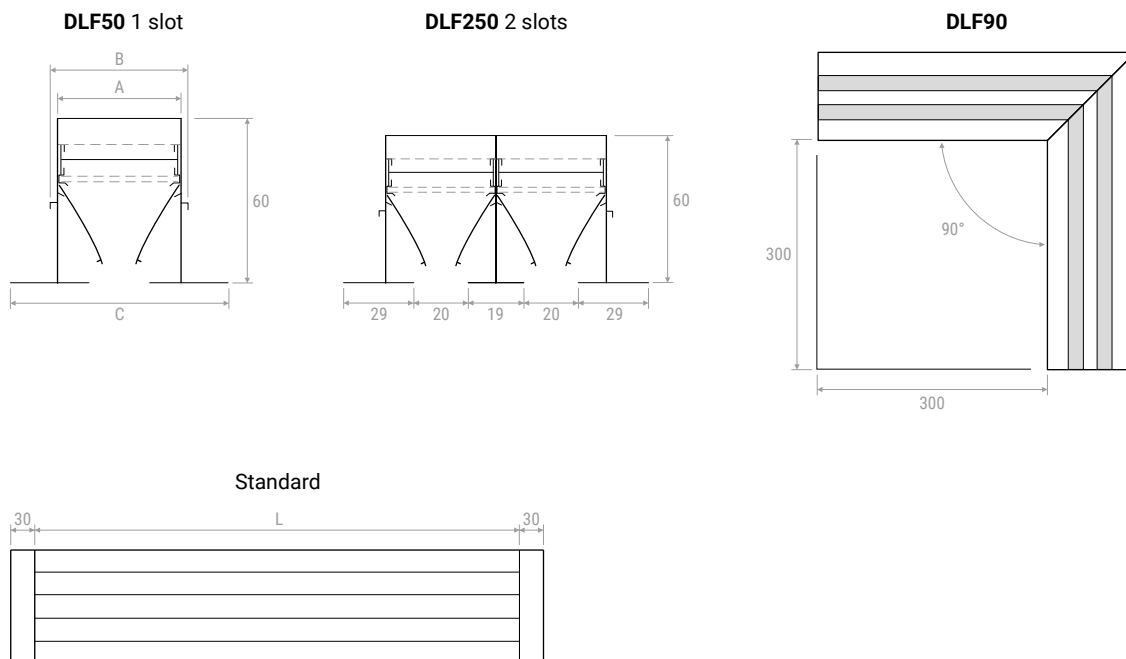
*df*



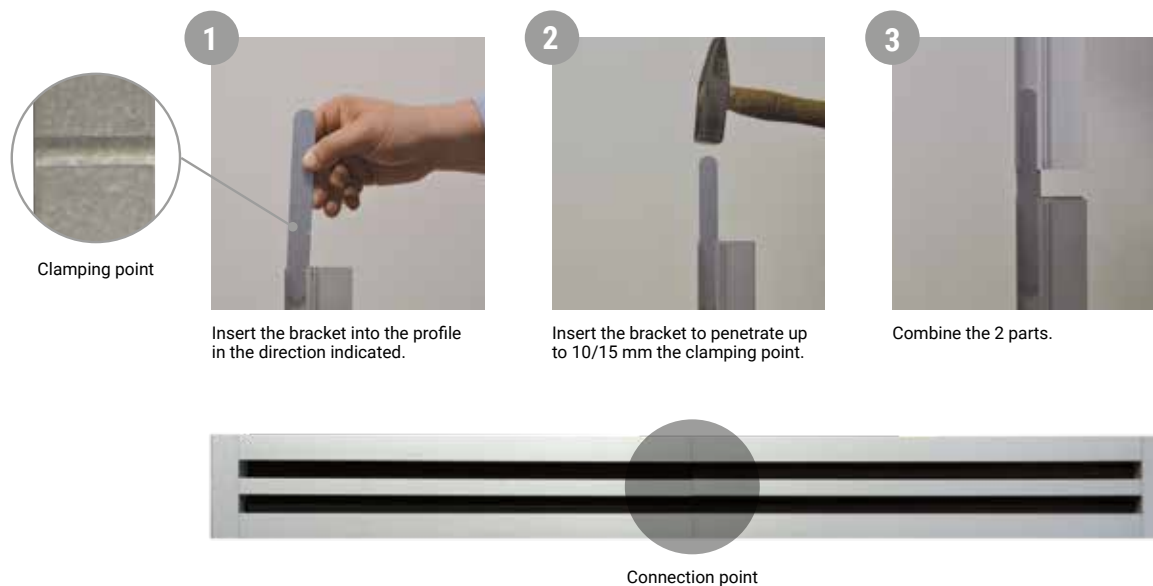
## MEASURES

N. slots	Lenght mm	Ø spigot N. spitos	A mm	B mm	C mm	S mm	Z mm	NR. CVL Mounting brackets	NR. CM Spring
1	800	98-1	40	50	77	54	66	2	2
	1000	98-1						2	2
	1500	98-2						2	2
	2000	98-3						2	3
2	800	148-1	78	89	115	93	105	2	4
	1000	148-2						2	4
	1500	148-3						2	4
	2000	148-4						2	6
3	800	198-1	117	128	155	132	144	2	4
	1000	198-2						2	4
	1500	198-3						2	6
	2000	198-4						3	6
4	800	198-1	155	165	191	169	181	2	4
	1000	198-2						2	4
	1500	198-3						2	6
	2000	198-4						3	6
5	800	248-1	192	202	229	206	218	2	4
	1000	248-1						2	4
	1500	248-2						2	6
	2000	248-2						3	8
6	800	248-1	230	240	267	244	256	2	4
	1000	248-2						2	4
	1500	248-2						2	6
	2000	248-3						3	8
7	800	248-1	266	276	303	280	292	3	6
	1000	248-2						3	6
	1500	248-3						3	8
	2000	248-4						3	8
8	800	248-1	303	313	340	317	329	3	6
	1000	248-2						3	6
	1500	248-3						3	8
	2000	248-4						3	8

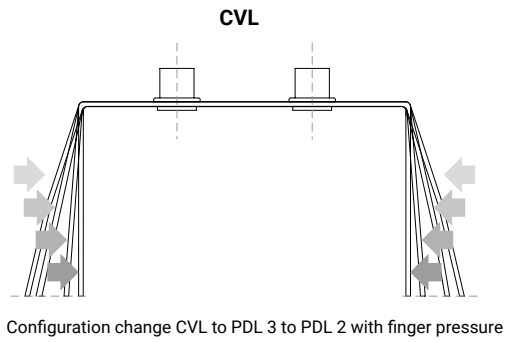
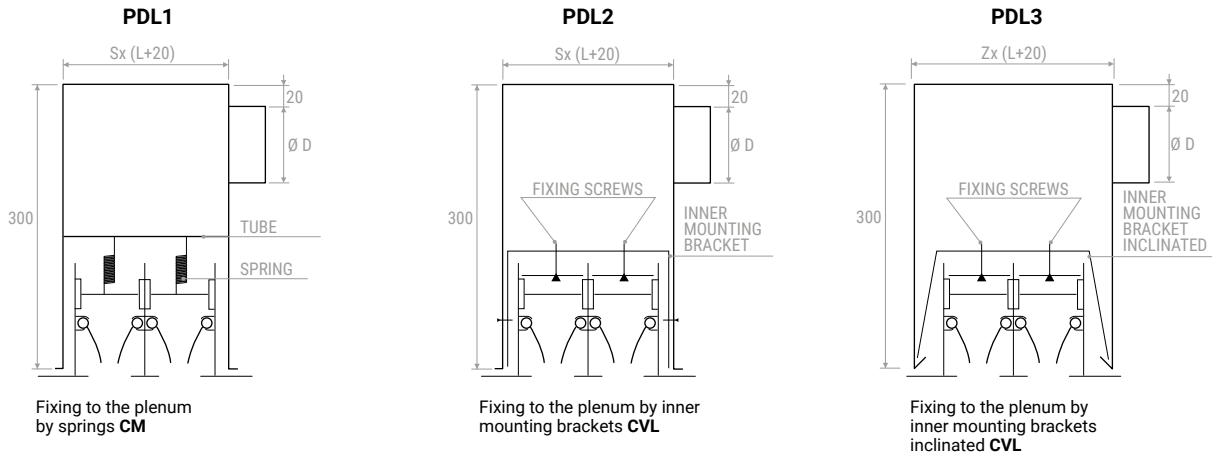
**DRAWINGS**



**MODULAR ASSEMBLY**



PLENUM

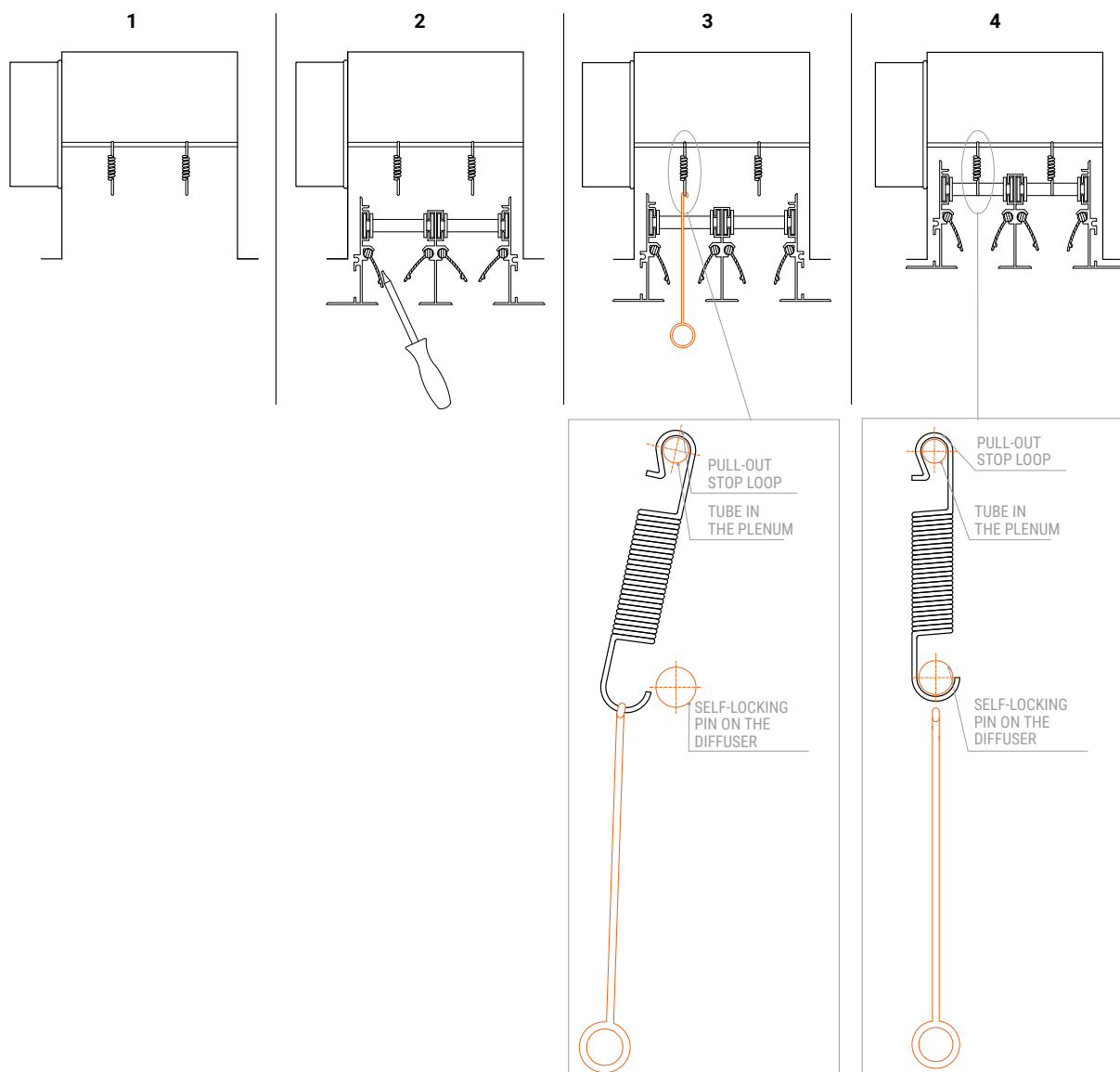


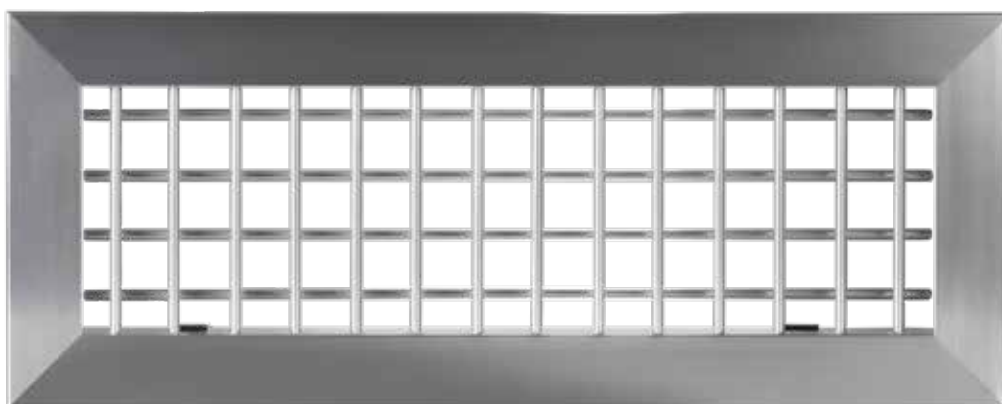
ACCESSORIES

Code		€
<b>CVL</b> 1-4 Slots		6,05
<b>CVL</b> 5-8 Slots		8,58
<b>CM</b> Spring		0,79
<b>CG</b> Hook		1,99
<b>CC</b> Kit continuity (2 pieces)		2,65

**DLF DIFFUSER PLENUM PDL1 ASSEMBLY DIAGRAM**

- 1) Hook the spring to the mounting tube placed inside the plenum.
- 2) Move the deflectors with a screwdriver so as to leave most free surface by the action of the hook.
- 3) Bringing the diffuser to the plenum, by means of the hook to extend the spring and hook it to the self-locking pin on the diffuser so block the way unitary structure.
- 4) Ensure sure that the attachment is safe.





*bma*

## **BMA**

### **Characteristics:**

Supply grilles with adjustable blades 20 mm pitch.

### **Construction:**

Aluminium silver anodised and polished by mechanical process.

### **Utilization:**

For wall installation and for air delivery.

Installation height: 2,5-3,5 m.

### **Fixing:**

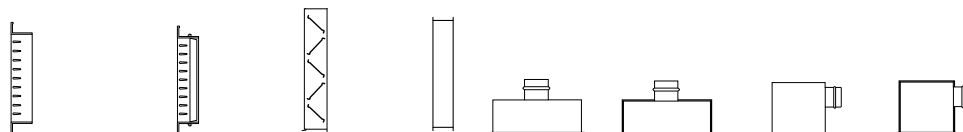
- Standard fixing by clips.
- Holes for screws upon request.
- Magnets on request (CL).
- Clamps upon request (KC).

### **Accessori:**

- Galvanized steel plenum, standard or insulated.
- Calibration damper made of galvanized steel and fins with opposite movement.
- Mounting counterframes made of galvanized steel sheet.



**PRICES**



BxH	BMAV-BMAO	BMAVO-BMAOV	SC	CT-CTKC	PBZ1	PBZ11	PBZ2	PBZ12
mm	€	€	€	€	€	€	€	€
200x100	51,12	55,59	10,90	6,13	27,10	39,33	27,44	39,83
300x100	57,78	62,22	11,68	6,13	28,58	41,58	29,00	42,23
400x100	66,51	82,23	12,43	6,81	37,65	51,83	31,86	46,66
500x100	77,07	92,49	15,15	7,49	39,09	54,07	33,68	49,46
600x100 •	85,62	102,63	17,12	8,18	40,55	56,30	35,47	52,25
700x100 •	92,88	117,30	19,59	8,99	41,98	58,54	37,29	55,06
800x100 •	100,20	132,03	22,14	9,81	43,44	60,78	41,46	61,48
1000x100 •	112,47	158,94	27,04	11,18	54,29	73,59	45,90	68,19
200x150	58,23	62,67	11,68	6,13	28,28	40,98	28,65	41,55
300x150	66,63	75,54	13,22	6,81	29,86	43,41	31,51	45,98
400x150	77,82	106,23	15,55	7,49	31,44	45,85	33,47	48,98
500x150	88,89	122,25	17,88	8,99	40,65	56,30	37,11	54,63
600x150 •	99,99	142,17	20,23	9,81	42,23	58,74	39,30	58,01
700x150 •	105,57	162,24	22,94	10,51	54,95	72,87	52,64	73,10
800x150 •	111,09	182,22	25,65	11,18	56,52	75,31	54,84	76,50
1000x150 •	135,54	206,97	30,59	12,68	67,61	88,52	62,52	88,24
200x200	66,51	82,23	12,43	6,81	29,43	42,60	30,92	44,92
300x200	77,82	106,23	17,12	7,49	31,14	45,25	32,98	48,10
400x200	91,11	119,97	18,66	8,65	32,83	47,89	36,64	53,73
500x200	102,24	144,48	21,78	9,81	34,54	50,51	38,95	57,32
600x200 •	113,31	171,12	24,90	10,51	55,34	73,20	52,73	72,95
700x200 •	123,36	191,13	27,61	11,58	57,05	75,85	57,41	80,17
800x200 •	133,38	211,11	30,35	12,68	58,76	78,46	60,00	84,15
1000x200 •	144,48	228,96	33,45	14,16	62,18	83,73	68,31	96,97
300x300	99,99	142,17	20,23	8,99	33,42	48,61	37,19	54,45
400x300	113,31	171,12	24,90	10,51	47,42	64,29	51,83	71,10
500x300	135,54	184,44	27,24	11,98	49,39	67,33	56,52	78,32
600x300 •	148,86	215,61	29,57	12,68	58,98	78,37	59,35	82,72
700x300 •	164,43	237,78	32,69	13,82	60,96	81,42	64,81	91,15
800x300 •	180,00	260,01	35,79	14,99	71,28	99,09	76,28	110,56
1000x300	220,05	308,91	42,79	17,04	75,83	105,80	86,49	126,01
400x400	133,38	211,11	27,87	11,98	50,27	68,37	57,39	79,37
500x400	144,48	228,96	33,84	13,35	52,48	71,80	62,83	87,81
600x400 •	177,84	260,01	35,79	14,99	70,71	97,87	74,57	107,60
700x400 •	204,51	295,56	39,67	16,01	72,94	101,31	80,80	117,24
800x400 •	228,96	331,14	43,57	17,04	83,50	113,53	92,77	131,61
1000x400 •	268,89	366,69	51,33	19,34	99,10	135,00	114,80	163,03
500x500	185,28	270,78	41,98	14,99	63,33	90,26	74,81	108,01
600x500 •	220,05	308,91	43,57	16,36	65,81	94,10	81,32	118,04
800x500 •	268,89	366,69	51,33	18,67	97,90	133,18	111,95	158,65
1000x500 •	336,12	458,49	64,57	20,86	102,89	140,86	120,06	167,39

For bigger sizes prices on request  
• Intermediate reinforcing



**DESCRIPTION**

**PRODUCT CODE**

**BMAV:** Grille with single row of vertical bars.

**BMAO:** Grille with single row of horizontal bars.

**BMAVO:** Grille with double row of bars (frontal vertical, back horizontal).

**BMAOV:** Grille with double row of bars (frontal horizontal, back vertical).

**ACCESSORIES CODE**

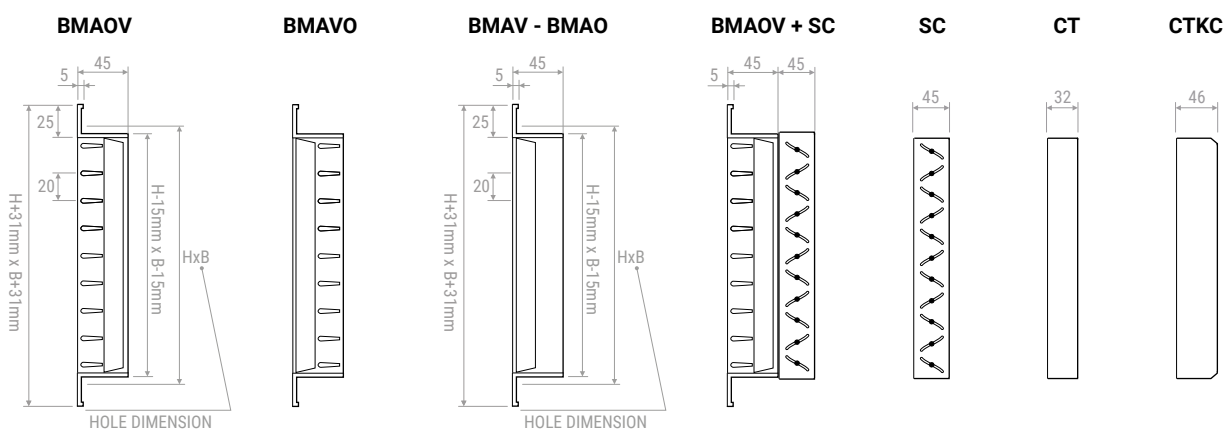
**SC:** Opposed blade damper.

**CT:** Counterframes in galvanised steel sheet profile section.

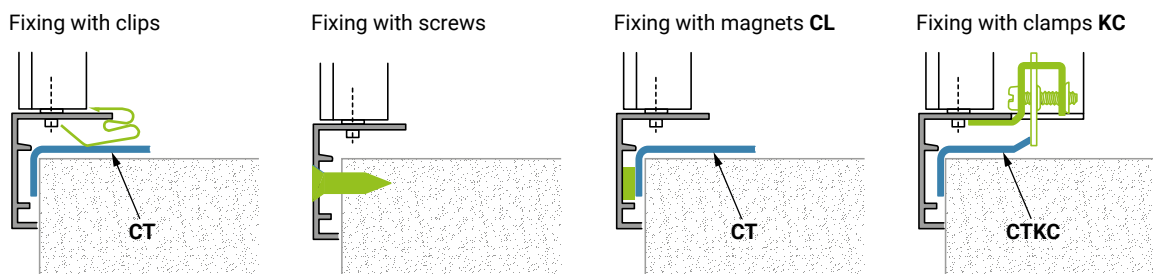
**CTKC:** Counterframe in galvanised steel for clamps KC.

**PBZ:** Conneting plenum.

**DRAWINGS**



**TYPE OF FIXING**

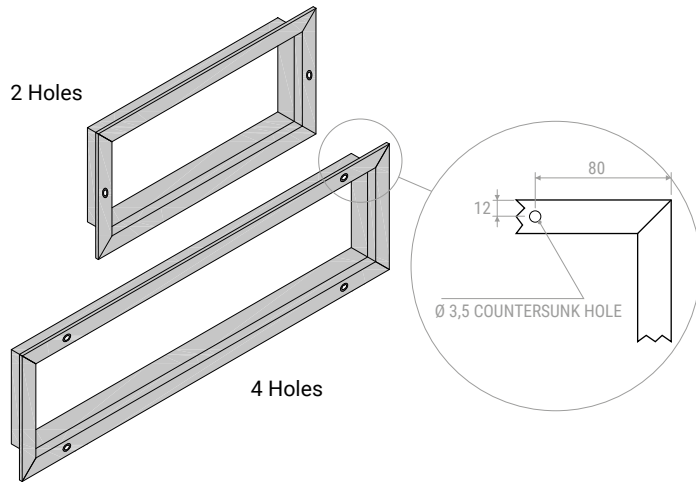


**CL:** 2,48 € each. Each grille: **4 CL**

**KC:** 4,95 € each. From 200x100 to 1000x300: **2 KC**. From 400x400 to 1000x500: **4 KC**



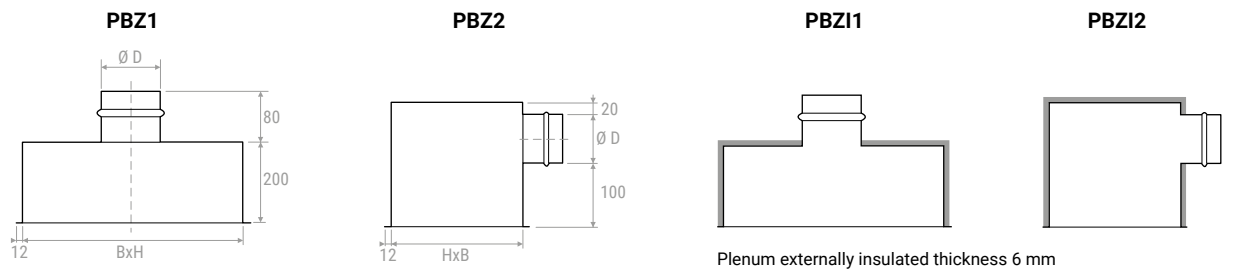
**HOLES**

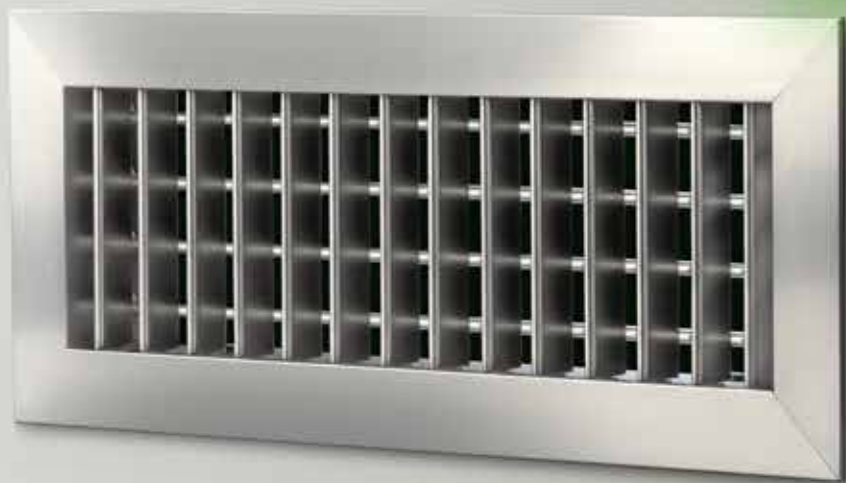


**Amount of holes for mounting screw**

Smaller side	Longer side				
	200	250	300	350	≥400
100	2	2	2	4	4
150	2	2	2	4	4
200	2	2	2	4	4
≥250	2	2	2	4	4

**PLENUM**

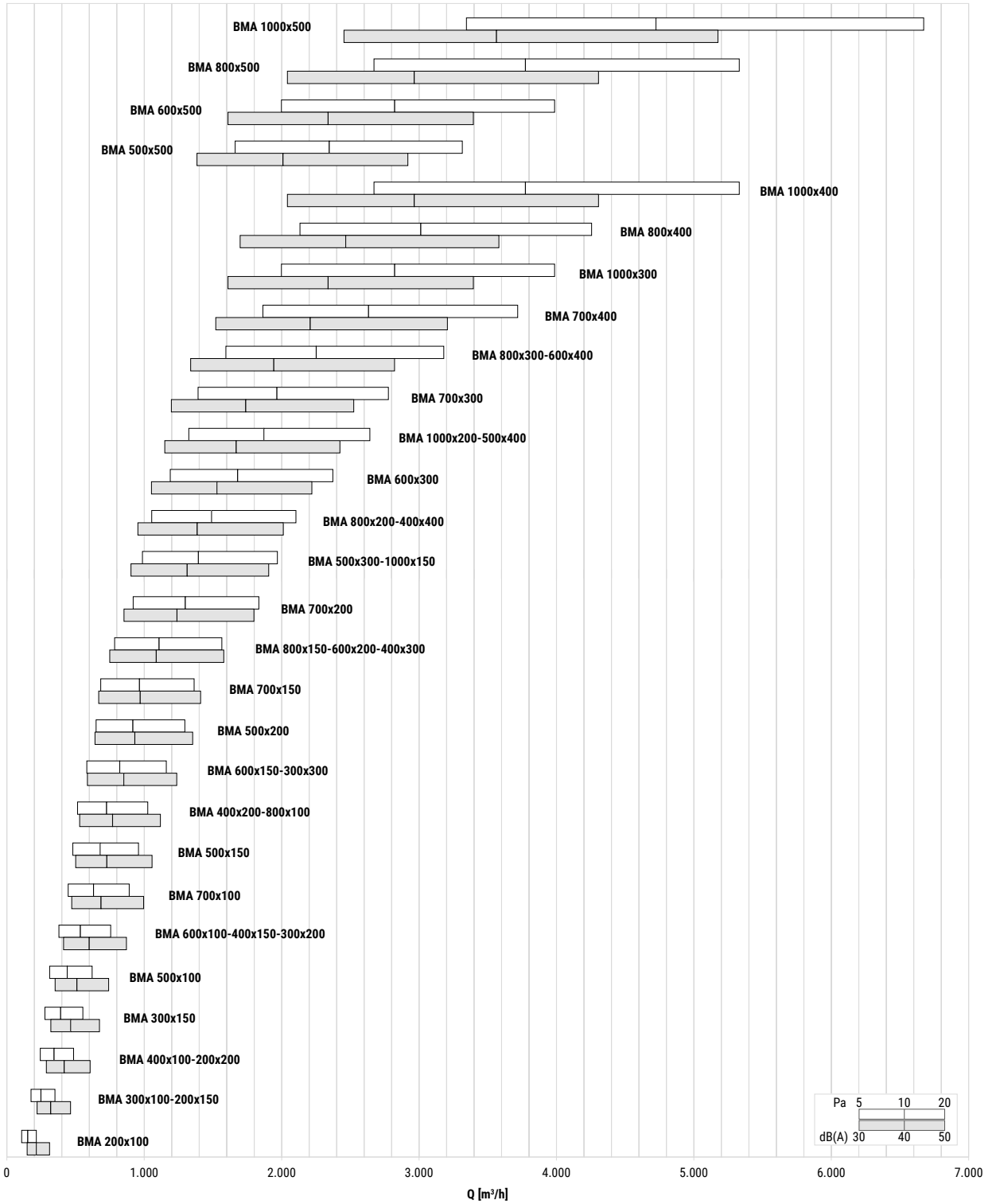




*bma*



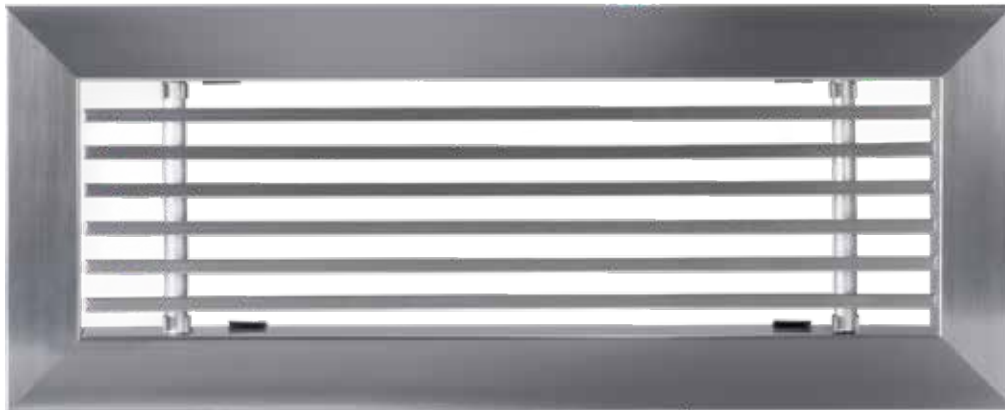
**QUICK SELECTION DIAGRAM**



## SELECTION TABLE

Model	A <sub>x</sub> [m <sup>2</sup> ]	Q [m <sup>3</sup> /h]		L <sub>WA</sub> [dB(A)]		X <sub>(0,25)</sub> [m]		Dp <sub>t</sub> [Pa]	
		min	max	min	max	min	max	min	max
<b>BMA 200x100</b>	0,0088	110	220	22	41	2,4	4,8	5	20
<b>BMA 300x100-200x150</b>	0,0144	180	350	25	42	3,1	6,0	5	20
<b>BMA 400x100-200x200</b>	0,0200	240	490	25	44	3,5	7,2	5	20
<b>BMA 300x150</b>	0,0228	280	550	26	45	3,8	7,5	5	20
<b>BMA 500x100</b>	0,0256	310	620	27	45	4,0	8,0	5	20
<b>BMA 600x100-400x150-300x200</b>	0,0311	380	760	28	46	4,5	8,9	5	20
<b>BMA 700x100</b>	0,0367	450	890	29	47	4,9	9,6	5	20
<b>BMA 500x150</b>	0,0395	480	960	29	47	5,0	10,0	5	20
<b>BMA 400x200-800x100</b>	0,0423	510	1030	29	48	5,1	10,4	5	20
<b>BMA 600x150-300x300</b>	0,0479	580	1160	30	48	5,5	11,0	5	20
<b>BMA 500x200</b>	0,0534	650	1300	30	49	5,8	11,6	5	20
<b>BMA 700x150</b>	0,0562	680	1360	30	49	5,9	11,9	5	20
<b>BMA 800x150-600x200-400x300</b>	0,0646	780	1570	31	50	6,3	12,8	5	20
<b>BMA 700x200</b>	0,0757	920	1830	32	50	6,9	13,8	5	20
<b>BMA 500x300-1000x150</b>	0,0813	990	1970	32	51	7,2	14,3	5	20
<b>BMA 800x200-400x400</b>	0,0869	1050	2100	33	51	7,4	14,7	5	20
<b>BMA 600x300</b>	0,0980	1190	2370	33	52	7,9	15,7	5	20
<b>BMA 1000x200-500x400</b>	0,1092	1320	2640	34	52	8,3	16,5	5	20
<b>BMA 700x300</b>	0,1147	1390	2780	34	53	8,5	17,0	5	20
<b>BMA 800x300-600x400</b>	0,1315	1590	3180	35	53	9,1	18,1	5	20
<b>BMA 700x400</b>	0,1537	1860	3720	35	54	9,8	19,6	5	20
<b>BMA 1000x300</b>	0,1649	2000	3990	36	54	10,2	20,3	5	20
<b>BMA 800x400</b>	0,1760	2130	4260	36	55	10,5	21,0	5	20
<b>BMA 1000x400</b>	0,2206	2670	5330	37	56	11,8	23,5	5	20
<b>BMA 500x500</b>	0,1370	1660	3320	35	53	9,3	18,5	5	20
<b>BMA 600x500</b>	0,1649	2000	3990	36	54	10,2	20,3	5	20
<b>BMA 800x500</b>	0,2206	2670	5330	37	56	11,8	23,5	5	20
<b>BMA 1000x500</b>	0,2764	3340	6670	38	57	13,1	26,2	5	20





*laf*

## LAF

### **Characteristics:**

Grilles with fixed blades with 0° deflection.

### **Construction:**

Aluminium silver anodised and polished by mechanical process.

LAFPR10 with fixed bars core.

Other versions (LAF20) with removable bars core.

### **Utilization:**

For wall and fan-coils installation, and for air intake and delivery. Installation height: 2,5-3,1 m.

### **Fizing:**

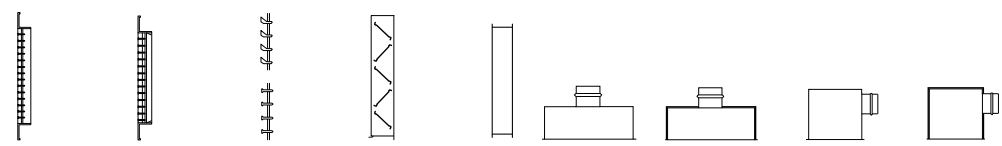
- Standard fixing by clips.
- Holes for screws upon request.
- Magnets on request (CL).
- Lock upon request (KC).

### **Accessories:**

- Calibration damper made of galvanized steel and fins with opposite movement.
- Mounting counterframes made of galvanized steel sheet.



## PRICES



BxH	LAF10	LAF20	LAG20	SC	CT CTKC	PBZ1	PBZ11	PBZ 2	PBZ12
mm	€	€	€	€	€	€	€	€	€
400x75	73,29	84,45	42,24	12,01	6,81	37,65	51,83	31,86	46,66
500x75	90,45	102,24	48,93	14,42	7,49	39,09	54,07	33,68	49,46
600x75	97,77	111,09	57,78	16,80	8,18	40,55	56,30	35,47	52,25
800x75	114,84	128,85	68,85	20,78	9,81	43,44	60,78	41,46	61,48
1000x75	134,46	146,67	80,01	25,54	11,18	54,29	73,59	45,90	68,19
1200x75	160,89	176,01	95,94	28,97	14,99	68,32	89,76	61,16	86,27
200x100	51,33	53,31	33,36	10,90	6,13	27,10	39,33	27,44	39,83
300x100	68,46	77,82	37,80	11,68	6,13	28,58	41,58	29,00	42,23
400x100	90,45	102,24	46,65	12,43	6,81	37,65	51,83	31,86	46,66
500x100	105,12	124,47	53,31	15,15	7,49	39,09	54,07	33,68	49,46
600x100	112,47	128,85	62,22	17,12	8,18	40,55	56,30	35,47	52,25
800x100	129,54	146,67	68,85	22,14	9,81	43,44	60,78	41,46	61,48
1000x100	154,08	175,59	82,23	27,04	11,18	54,29	73,59	45,90	68,19
1200x100	184,65	210,45	98,55	32,66	14,99	68,32	89,76	61,16	86,27
300x125	75,21	81,75	39,96	13,22	6,13	29,86	43,41	31,51	45,98
400x125	100,20	108,93	53,31	13,32	7,16	31,44	45,85	31,86	46,66
500x125	112,47	131,10	62,22	16,21	8,26	40,65	56,30	33,68	49,46
600x125	129,54	148,86	82,23	18,79	8,99	42,23	58,74	35,47	52,25
800x125	141,75	160,02	97,80	23,50	10,51	56,52	75,31	41,46	61,48
1000x125	180,90	199,98	113,31	28,77	11,92	67,61	88,52	45,90	68,19
1200x125	217,32	240,12	136,02	34,62	15,66	70,77	93,39	61,16	86,27
300x150	105,12	124,47	53,31	13,22	6,81	29,86	43,41	31,51	45,98
400x150	112,47	137,79	80,01	15,55	7,49	31,44	45,85	33,47	48,98
500x150	117,30	162,24	88,89	17,88	8,99	40,65	56,30	37,11	54,63
600x150	141,75	173,31	102,24	20,23	9,81	42,23	58,74	39,30	58,01
800x150	185,79	199,98	126,69	25,65	11,18	56,52	75,31	54,84	76,50
1000x150	212,73	242,22	146,67	30,59	12,68	67,61	88,52	62,52	88,24
1200x150	255,18	290,49	176,01	34,62	15,66	70,77	93,39	67,46	95,83
300x200	112,47	128,85	62,22	17,12	7,49	31,14	45,25	32,98	48,10
400x200	154,08	175,59	104,40	18,66	8,65	32,83	47,89	36,64	53,73
500x200	180,90	202,20	119,97	21,78	9,81	34,54	50,51	38,95	57,32
600x200	193,14	217,74	133,38	24,90	10,51	55,34	73,20	52,73	72,95
800x200	232,23	264,45	171,12	30,35	12,68	58,76	78,46	60,00	84,15
1000x200	283,59	311,16	199,98	33,45	14,16	62,18	83,73	68,31	96,97
1200x200	340,35	373,50	240,12	36,55	16,36	73,94	103,63	82,35	120,38
400x300	193,14	217,74	133,38	24,90	10,51	47,42	64,29	51,83	71,10
500x300	219,96	244,44	171,12	27,24	11,98	49,39	67,33	56,52	78,32
600x300	264,06	291,12	204,48	29,57	12,68	58,98	78,37	59,35	82,72
800x300	339,81	373,32	251,13	35,79	14,99	71,28	99,09	76,28	110,56
1000x300	405,57	462,00	303,39	42,79	17,04	75,83	105,80	86,49	126,01
1200x300	486,60	554,25	363,99	49,78	18,55	88,12	117,71	101,55	142,26
800x400	453,12	497,76	334,83	43,57	17,04	83,50	113,53	92,77	131,61
1000x400	540,57	615,30	404,49	51,33	19,34	99,10	135,00	114,80	163,03
1200x400	648,48	738,45	485,40	61,45	20,70	103,54	141,89	122,55	175,02



## DESCRIPTION

## PRODUCT CODE

**LAF10:** Fixed horizontal bar grille deflection 0° with removable bars core.

**LAF20:** Fixed horizontal bar grille deflection 0° with rear equaliser with adjustable vertical fins.

**LAG20:** Grille element consisting only of front bars 0°, (without the frame).

**LAFPC-G:** Series grilles can be fitted with single or double inspection doors, full (PC) or grill panel (PG).

## ACCESSORIES CODE

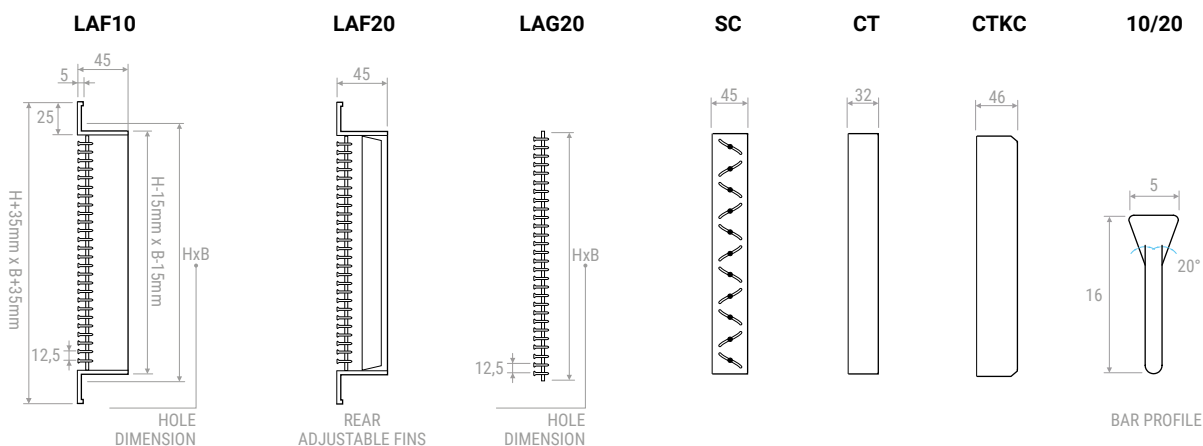
**SC:** Opposed blade damper.

**CT:** Counterframes in galvanised steel sheet profile section.

**CTKC:** Counterframe in galvanised steel for clamps KC.

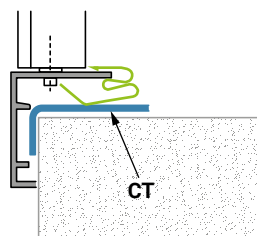
**PBZ:** Conneting plenum.

## DRAWINGS

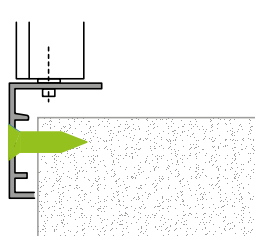


## TYPE OF FIXING

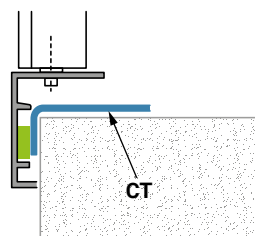
Fixing with clips



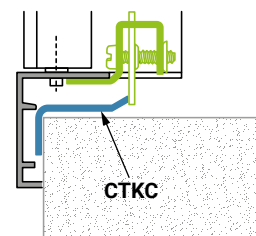
Fixing with screws



Fixing with magnets CL



Fixing with clamps KC

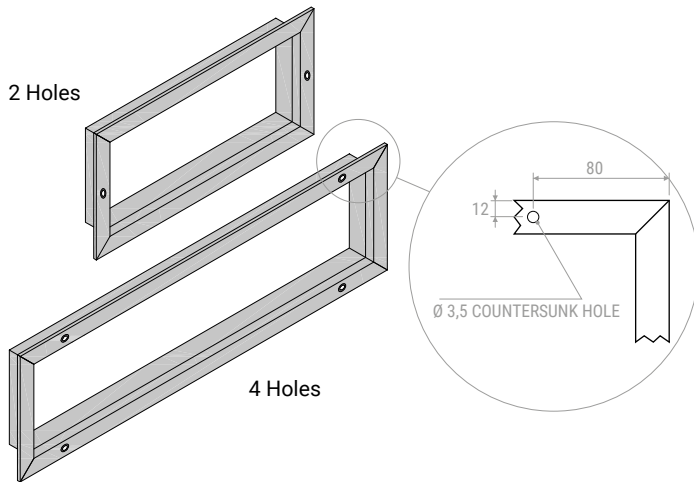


**CL:** 2,48 € each. Each grille: **4 CL**

**KC:** 4,95 € each. From 200x100 to 1000x300: **2 KC**. From 400x400 to 1000x500: **4 KC**



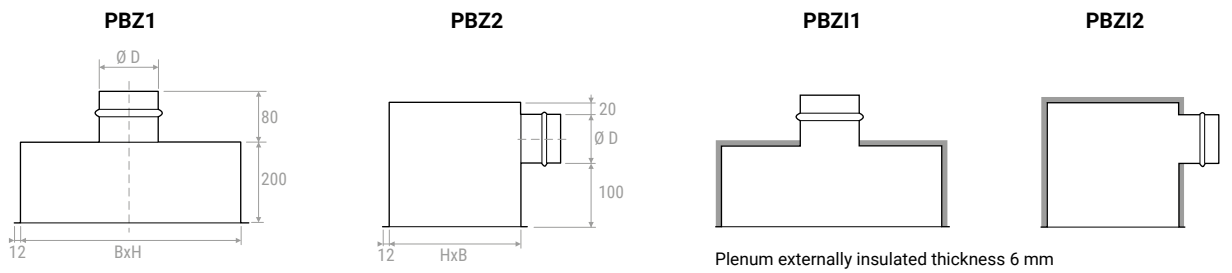
HOLES



Amount of holes for mounting screw

Smaller side	Longer side				
	200	250	300	350	≥400
100	2	2	2	4	4
150	2	2	2	4	4
200	2	2	2	4	4
≥250	2	2	2	4	4

PLENUM

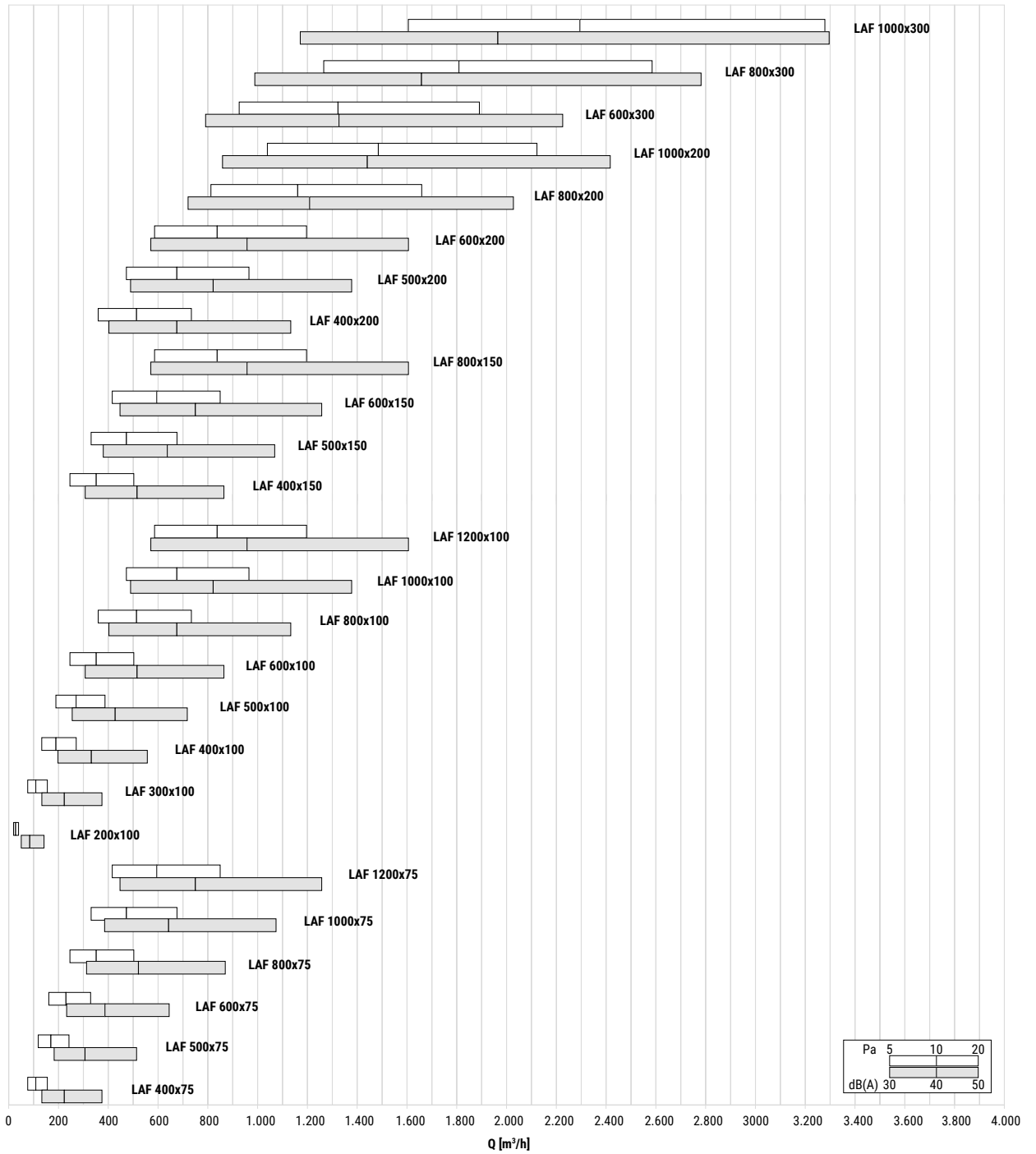




*laf*



QUICK SELECTION DIAGRAM



## SELECTION TABLE

Model	A <sub>k</sub> [m <sup>2</sup> ]	Q [m <sup>3</sup> /h]		L <sub>WA</sub> [dB(A)]		X <sub>(0,25)</sub> [m]		Dp <sub>t</sub> [Pa]	
		min	max	min	max	min	max	min	max
LAF 400x75	0,0083	80	160	20	34	3,5	6,6	5	20
LAF 500x75	0,0129	120	240	22	35	4,2	8,0	5	20
LAF 600x75	0,0176	160	330	23	37	4,8	9,4	5	20
LAF 800x75	0,0268	250	500	26	39	6,1	11,7	5	20
LAF 1000x75	0,0361	330	680	27	41	6,9	13,8	5	20
LAF 1200x75	0,0453	420	850	29	42	7,9	15,5	5	20
LAF 200x100	0,0021	50	100	20	31	1,9	3,3	5	20
LAF 300x100	0,0083	80	160	20	34	3,5	6,6	5	20
LAF 400x100	0,0145	130	270	22	36	4,3	8,5	5	20
LAF 500x100	0,0206	190	390	24	38	5,3	10,3	5	20
LAF 600x100	0,0268	250	500	26	39	6,1	11,7	5	20
LAF 800x100	0,0392	360	730	28	41	7,3	14,2	5	20
LAF 1000x100	0,0515	470	970	29	43	8,3	16,6	5	20
LAF 1200x100	0,0638	590	1200	31	44	9,4	18,6	5	20
LAF 400x125	0,0206	190	390	24	38	5,3	10,3	5	20
LAF 500x125	0,0284	260	530	26	40	6,1	12,1	5	20
LAF 600x125	0,0361	330	680	27	41	6,9	13,8	5	20
LAF 800x125	0,0515	470	970	29	43	8,3	16,6	5	20
LAF 1000x125	0,0669	610	1250	31	45	9,5	19,0	5	20
LAF 1200x125	0,0823	760	1540	32	46	10,7	21,2	5	20
LAF 300x150	0,0176	160	330	23	37	4,8	9,4	5	20
LAF 400x150	0,0268	250	500	26	39	6,1	11,7	5	20
LAF 500x150	0,0361	330	680	27	41	6,9	13,8	5	20
LAF 600x150	0,0453	420	850	29	42	7,9	15,5	5	20
LAF 800x150	0,0638	590	1200	31	44	9,4	18,6	5	20
LAF 1000x150	0,0823	760	1540	32	46	10,7	21,2	5	20
LAF 1200x150	0,1008	930	1890	33	47	11,9	23,7	5	20
LAF 300x200	0,0268	250	500	26	39	6,1	11,7	5	20
LAF 400x200	0,0392	360	730	28	41	7,3	14,2	5	20
LAF 500x200	0,0515	470	970	29	43	8,3	16,6	5	20
LAF 600x200	0,0638	590	1200	31	44	9,4	18,6	5	20
LAF 800x200	0,0885	810	1660	32	46	11,0	22,1	5	20
LAF 1000x200	0,1132	1040	2120	34	47	12,6	25,2	5	20
LAF 1200x200	0,1379	1270	2590	35	49	14,0	28,0	5	20
LAF 400x300	0,0638	590	1200	31	44	9,4	18,6	5	20
LAF 500x300	0,0823	760	1540	32	46	10,7	21,2	5	20
LAF 600x300	0,1008	930	1890	33	47	11,9	23,7	5	20
LAF 800x300	0,1379	1270	2590	35	49	14,0	28,0	5	20
LAF 1000x300	0,1749	1610	3280	36	50	15,8	31,8	5	20
LAF 1200x300	0,2119	1950	3970	37	51	17,5	35,2	5	20
LAF 1000x400	0,2366	2170	4440	38	52	18,5	37,4	5	20
LAF 1200x400	0,2859	2630	5360	39	53	20,5	41,4	5	20





*gra*

## **GRA**

### **Characteristics:**

Return grilles with fixed and 45° inblined bars 25 mm pitch.

### **Construction:**

Aluminium silver anodised and polished by mechanical process.

### **Utilization:**

For wall installation and for air intake.

### **Fixing:**

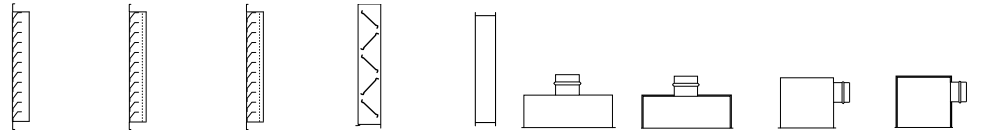
- Standard fixing by clips.
- Holes for screws upon request.
- Magnets on request (CL).
- Lock upon request (KC).

### **Accessories:**

- Galvanized steel plenum, standard or insulated.
- Calibration damper made of galvanized steel and fins with opposite movement.
- Mounting counterframes made of galvanized steel sheet.



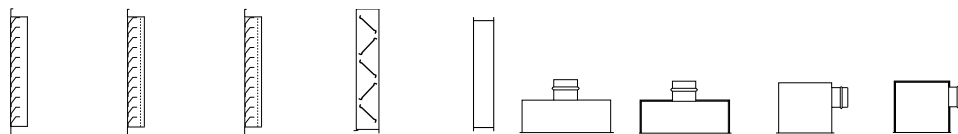
PRICES



BxH	GRA	GRAR	GRARZ	SC	CT - CTKC	PBZ1	PBZ11	PBZ2	PBZ12
mm	€	€	€	€	€	€	€	€	€
200x100	42,24	53,31	58,65	10,90	6,13	27,10	39,33	27,44	39,83
300x100	48,93	62,22	68,46	11,68	6,13	28,58	41,58	29,00	42,23
400x100	60,00	73,32	80,67	12,43	6,81	37,65	51,83	31,86	46,66
500x100	71,16	82,23	90,48	15,15	7,49	39,09	54,07	33,68	49,46
600x100 •	80,01	95,58	105,12	17,12	8,18	40,55	56,30	35,47	52,25
800x100 •	97,80	117,78	129,54	22,14	9,81	43,44	60,78	41,46	61,48
1000x100 •	126,69	140,07	154,08	27,04	11,18	54,29	73,59	45,90	68,19
1200x100 •	144,48	166,71	183,33	32,66	14,99	68,32	89,76	61,16	86,27
200x150	51,12	60,00	66,00	11,68	6,13	28,28	40,98	28,65	41,55
300x150	57,78	73,32	80,67	13,22	6,81	29,86	43,41	31,51	45,98
400x150	68,85	77,82	85,62	15,55	7,49	31,44	45,85	33,47	48,98
500x150	84,45	93,30	102,63	17,88	8,99	40,65	56,30	37,11	54,63
600x150 •	99,99	113,31	124,68	20,23	9,81	42,23	58,74	39,30	58,01
800x150 •	117,78	140,07	154,08	25,65	11,18	56,52	75,31	54,84	76,50
1000x150 •	135,54	164,43	180,84	30,59	12,68	67,61	88,52	62,52	88,24
1200x150 •	162,24	193,38	212,67	34,62	15,66	70,77	93,39	67,46	95,83
200x200	55,59	68,85	75,72	12,43	6,81	29,43	42,60	30,92	44,92
300x200	68,85	80,01	87,99	17,12	7,49	31,14	45,25	32,98	48,10
400x200	75,54	88,89	97,77	18,66	8,65	32,83	47,89	36,64	53,73
500x200	95,58	124,20	136,56	21,78	9,81	34,54	50,51	38,95	57,32
600x200 •	122,25	151,17	166,26	24,90	10,51	55,34	73,20	52,73	72,95
800x200 •	140,07	164,43	180,84	30,35	12,68	58,76	78,46	60,00	84,15
1000x200 •	164,43	195,51	215,13	33,45	14,16	62,18	83,73	68,31	96,97
1200x200 •	186,69	220,05	242,01	36,55	16,36	73,94	103,63	82,35	120,38
200x300	68,85	80,01	87,99	17,12	7,49	31,14	45,25	32,98	48,10
300x300	84,45	99,99	109,98	20,23	8,99	33,42	48,61	37,19	54,45
400x300	102,24	124,47	136,92	24,90	10,51	47,42	64,29	51,83	71,10
500x300	126,69	148,86	163,77	27,24	11,98	49,39	67,33	56,52	78,32
600x300 •	151,17	184,44	202,92	29,57	12,68	58,98	78,37	59,35	82,72
800x300 •	184,44	222,27	244,47	35,79	14,99	71,28	99,09	76,28	110,56
1000x300 •	222,27	266,64	293,31	42,79	17,04	75,83	105,80	86,49	126,01
1200x300 •	262,26	313,29	344,70	49,78	18,55	88,12	117,71	101,55	142,26
200x400	77,82	93,30	102,63	18,66	8,65	32,83	47,89	36,64	53,73
300x400	106,65	128,85	141,78	24,90	10,51	47,42	64,29	51,83	71,10
400x400	137,79	164,43	180,84	27,87	11,98	50,27	68,37	57,39	79,37
500x400	164,43	195,51	215,13	33,84	13,35	52,48	71,80	62,83	87,81
600x400 •	186,69	224,43	246,90	35,79	14,99	70,71	97,87	74,57	107,60
800x400 •	237,75	284,52	312,93	43,57	17,04	83,50	113,53	92,77	131,61
1000x400 •	269,31	340,02	374,04	51,33	19,34	99,10	135,00	114,80	163,03
1200x400 •	328,95	395,61	435,18	61,45	20,70	103,54	141,89	122,55	175,02
200x500	99,99	119,97	132,03	21,78	9,81	34,54	50,51	38,95	57,32
300x500	131,10	157,77	173,61	27,24	11,98	49,39	67,33	56,52	78,32

• Intermediate reinforcing





BxH	GRA	GRAR	GRARZ	SC	CT - CTKC	PBZ1	PBZ11	PBZ2	PBZ12
mm	€	€	€	€	€	€	€	€	€
400x500	171,12	206,67	227,28	33,84	13,35	52,48	71,80	62,83	87,81
500x500	188,91	228,96	251,82	41,98	14,99	63,33	90,26	74,81	108,01
600x500 •	222,27	266,64	293,31	43,57	16,36	65,81	94,10	81,32	118,04
800x500 •	282,24	340,02	374,04	51,33	18,67	97,90	133,18	111,95	158,65
1000x500 •	340,02	408,87	449,79	64,57	20,86	102,89	140,86	120,06	167,39
1200x500 •	408,87	491,19	540,27	75,46	23,04	107,84	148,51	127,29	178,57
200x600	126,69	153,36	168,66	24,90	10,51	55,34	73,20	52,73	72,95
300x600	157,77	193,38	212,67	29,57	12,68	58,98	78,37	59,35	82,72
400x600	193,38	231,09	254,25	35,79	14,99	70,71	97,87	74,57	107,60
500x600	226,68	271,11	298,23	43,57	16,36	65,81	94,10	81,32	118,04
600x600 •	262,26	313,29	344,70	49,78	17,84	88,03	121,72	104,94	147,82
800x600 •	328,95	397,80	437,58	60,64	20,03	101,17	138,21	116,85	166,23
1000x600 •	408,87	491,19	540,27	75,45	23,16	106,64	146,69	129,12	181,41
1200x600 •	462,24	555,60	611,16	89,44	25,21	112,13	155,15	137,40	194,17
200x800	144,48	173,31	190,65	30,35	12,68	58,76	78,46	60,00	84,15
300x800	193,38	233,37	256,74	35,79	14,99	71,28	99,09	76,28	110,56
400x800	257,82	315,60	347,13	43,57	17,04	83,50	113,53	92,77	131,61
500x800	288,93	357,84	393,60	51,33	18,67	97,90	133,18	111,95	158,65
600x800 •	337,83	415,56	457,17	60,64	20,03	101,17	138,21	116,85	166,23
800x800 •	420,00	504,45	554,91	94,11	23,16	107,69	148,27	130,15	182,99
1000x800 •	524,43	631,14	694,20	101,13	26,04	114,20	158,34	144,15	204,61
1200x800 •	608,97	731,13	804,27	121,33	28,88	120,71	168,41	153,97	219,79
595x595 E.C. esterno cornice	225,00	268,83	295,74	49,78	17,84	66,39	95,00	82,17	119,38

• Intermediate reinforcing

## DESCRIPTION

### PRODUCT CODE

**GRA:** Return grille (25 mm between bars).

**GRAR:** Return grille (25 mm between bars) with bird mesh.

**GRARZ:** Return grille (25 mm between bars) with insect screen.

### ACCESSORIES CODE

**SC:** Opposed blade damper.

**CT:** Counterframes in galvanised steel sheet profile section.

**CTKC:** Counterframe in galvanised steel for clamps KC.

**PBZ:** Connecting plenum.

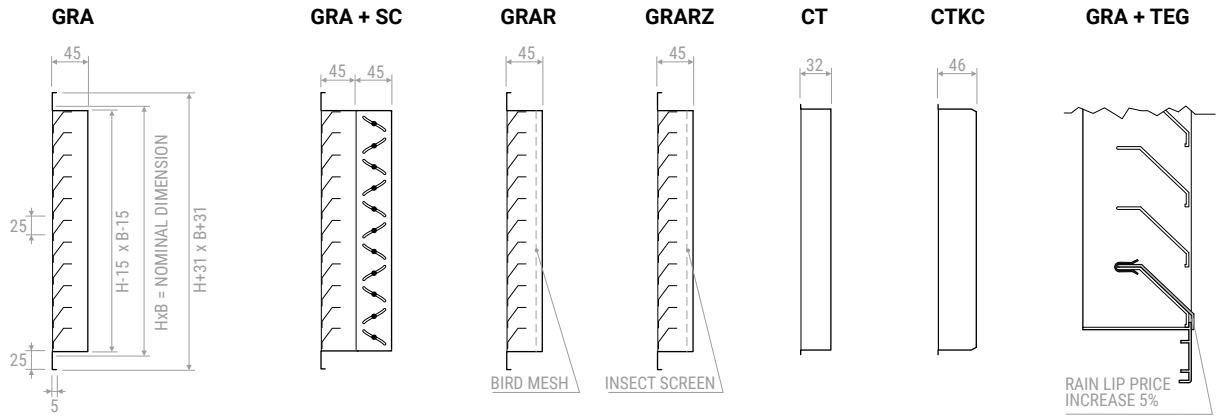
### AVAILABLE ON REQUEST

Grille with rain-proof panel **+TEG +5% INCREASE**

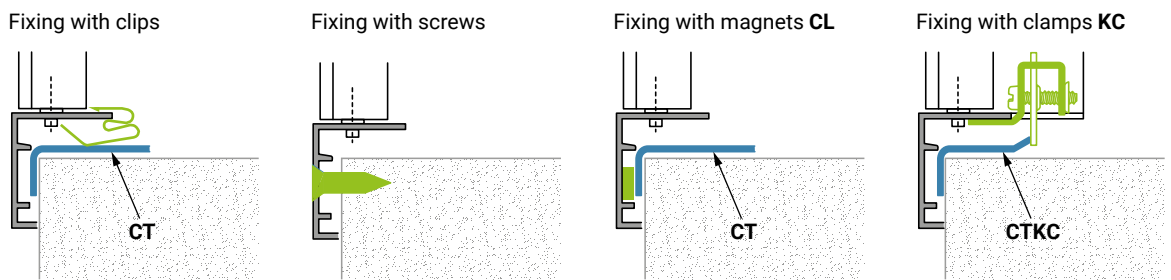


# GRA

## DRAWINGS

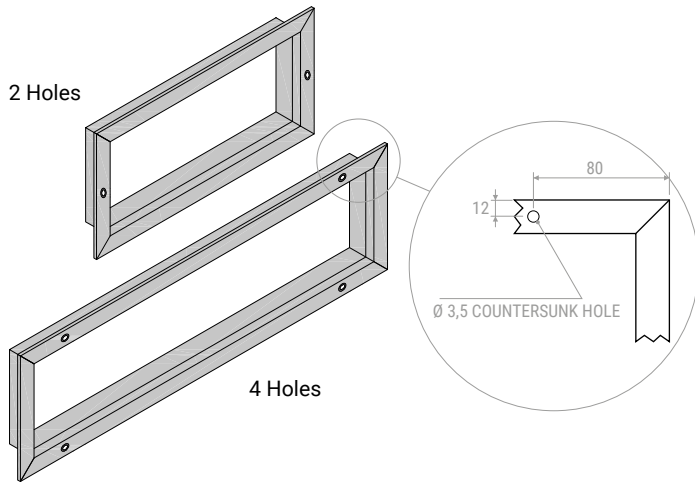


## TYPE OF FIXING



CL: 2,48 € each. Each grille: **4 CL**  
 KC: 4,95 € each. From 200x100 to 1000x300: **2 KC**. From 400x400 to 1000x500: **4 KC**

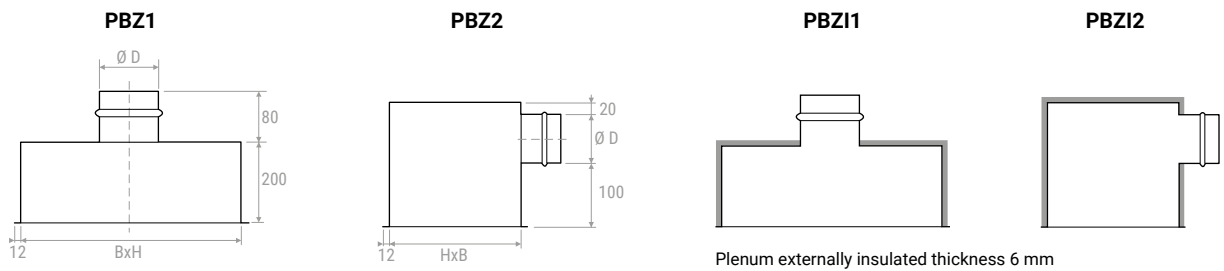
HOLES



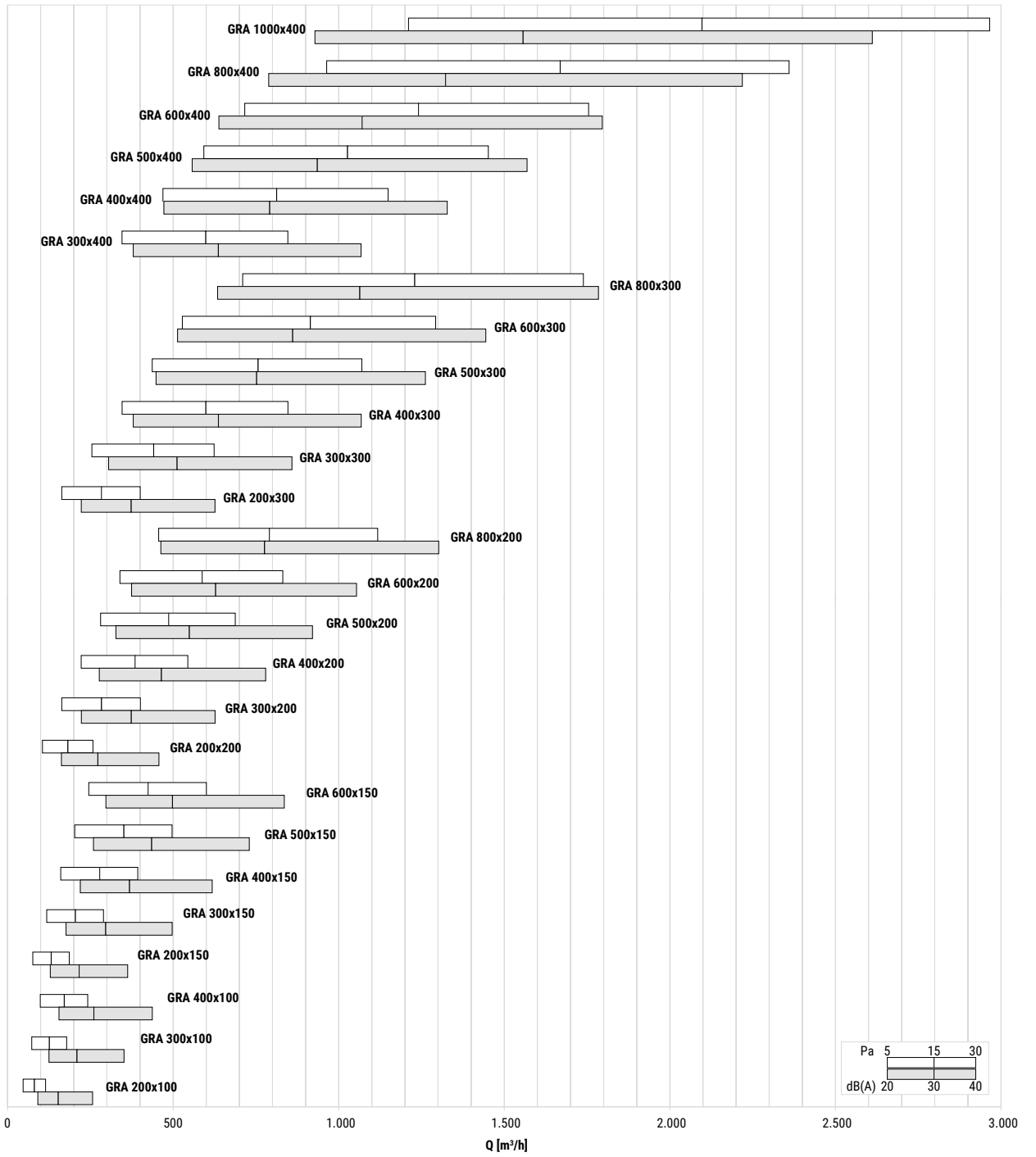
Amount of holes for mounting screw

Smaller side	Longer side				
	200	250	300	350	≥400
100	2	2	2	4	4
150	2	2	2	4	4
200	2	2	2	4	4
≥250	2	2	2	4	4

PLENUM



QUICK SELECTION DIAGRAM



SELECTION TABLE

Model	A <sub>k</sub> [m <sup>2</sup> ]	Q [m <sup>3</sup> /h]		L <sub>WA</sub> [dB(A)]		Dp <sub>i</sub> [Pa]	
		min	max	min	max	min	max
GRA 200x100	0,0101	50	120	-	25	5	30
GRA 300x100	0,0157	70	180	-	27	5	30
GRA 400x100	0,0213	100	240	-	28	5	30
GRA 500x100	0,0269	120	310	-	30	5	30
GRA 600x100	0,0325	150	370	-	31	5	30
GRA 800x100	0,0437	200	500	-	33	5	30
GRA 1000x100	0,0548	250	620	-	34	5	30
GRA 1200x100	0,0660	310	750	-	35	5	30
GRA 200x150	0,0164	80	190	-	27	5	30
GRA 300x150	0,0255	120	290	-	30	5	30
GRA 400x150	0,0346	160	390	-	31	5	30
GRA 500x150	0,0437	200	500	-	33	5	30
GRA 600x150	0,0528	250	600	-	34	5	30
GRA 800x150	0,0709	330	810	-	35	5	30
GRA 1000x150	0,0891	410	1010	-	36	5	30
GRA 1200x150	0,1073	500	1220	20	38	5	30
GRA 200x200	0,0227	110	260	-	29	5	30
GRA 300x200	0,0353	160	400	-	31	5	30
GRA 400x200	0,0478	220	540	-	33	5	30
GRA 500x200	0,0604	280	690	-	34	5	30
GRA 600x200	0,0730	340	830	-	35	5	30
GRA 800x200	0,0982	460	1120	-	37	5	30
GRA 1000x200	0,1234	570	1400	21	38	5	30
GRA 1200x200	0,1486	690	1690	22	39	5	30
GRA 200x300	0,0352	160	400	-	31	5	30
GRA 300x300	0,0548	250	620	-	34	5	30
GRA 400x300	0,0744	350	850	-	36	5	30
GRA 500x300	0,0940	440	1070	-	37	5	30
GRA 600x300	0,1136	530	1290	21	38	5	30
GRA 800x300	0,1528	710	1740	22	40	5	30
GRA 1000x300	0,1920	890	2190	23	41	5	30
GRA 1200x300	0,2312	1070	2630	24	42	5	30
GRA 200x400	0,0478	220	540	-	33	5	30
GRA 300x400	0,0744	350	850	-	36	5	30
GRA 400x400	0,1010	470	1150	-	37	5	30
GRA 500x400	0,1276	590	1450	21	38	5	30
GRA 600x400	0,1542	720	1750	22	39	5	30
GRA 800x400	0,2073	960	2360	24	41	5	30
GRA 1000x400	0,2605	1210	2970	25	42	5	30
GRA 1200x400	0,3137	1460	3570	26	43	5	30
GRA 200x500	0,0603	280	690	-	34	5	30
GRA 300x500	0,0939	440	1070	-	37	5	30
GRA 400x500	0,1275	590	1450	21	38	5	30
GRA 500x500	0,1611	750	1830	23	40	5	30
GRA 600x500	0,1947	900	2220	23	41	5	30
GRA 800x500	0,2619	1220	2980	25	42	5	30
GRA 1000x500	0,3291	1530	3750	26	44	5	30
GRA 1200x500	0,3963	1840	4510	27	45	5	30
GRA 200x600	0,0729	340	830	-	35	5	30
GRA 300x600	0,1135	530	1290	21	38	5	30
GRA 400x600	0,1541	720	1750	22	40	5	30
GRA 500x600	0,1947	900	2220	23	41	5	30
GRA 600x600	0,2353	1090	2680	25	42	5	30
GRA 800x600	0,3165	1470	3600	26	44	5	30
GRA 1000x600	0,3977	1850	4530	28	45	5	30
GRA 1200x600	0,4789	2230	5450	29	46	5	30
GRA 200x800	0,0980	460	1120	-	37	5	30
GRA 300x800	0,1526	710	1740	22	40	5	30
GRA 400x800	0,2072	960	2360	24	41	5	30
GRA 500x800	0,2618	1220	2980	25	42	5	30
GRA 600x800	0,3164	1470	3600	26	44	5	30
GRA 800x800	0,4256	1980	4850	28	45	5	30
GRA 1000x800	0,5348	2490	6090	29	46	5	30
GRA 1200x800	0,6440	2990	7330	30	47	5	30
GRA 595x595	0,1957	910	2230	24	41	5	30





*gra*





**BROFER srl**  
Via Roma, 66  
31023 Resana (TV) Italy  
Tel. +39 0423 716611  
Fax +39 0423 716612  
info@brofer.it

**Milan branch**  
Via E. De Amicis, 59  
20092 Cinisello Balsamo (MI)  
Tel. +39 02 66017390  
Fax +39 02 66041257  
ordinimi@brofer.it

**Naples branch**  
**JANNONE DST SRL**  
Via dei Platani  
Angolo Via Palazziello sn  
80040 z.i. PIP Sebeto VOLLA (NA)  
Tel. +39 081 19330200  
Fax +39 081 19330203  
info@jannonedst.it