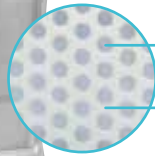
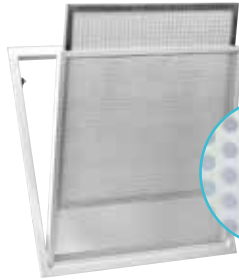
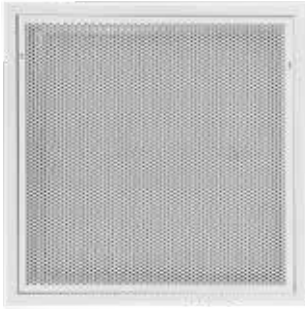


## BQF60SMF



Ø 5 P8

vacío/lleño 35%  
free area 35%

## PRECIOS - PRICES

■ STOCK

	BQF60SMF Con filtro With filter	BQF60SM	Filtro - Filter	SC	PDZ1	PDZ11	PDZ2	PDZ12
	€	€	€	€	€	€	€	€
<b>595x595</b> del marco externo overall size								

## DESCRIPCIONES - DESCRIPTION:

**BQF-SMF:** Difusor perforado desmontable con filtro - Perforated face diffuser with removable core and with filter

**BQF-SM:** Difusor perforado desmontable sin filtro - Perforated face diffuser with removable core without filter

## DIBUJOS - DRAWINGS

## CARACTERÍSTICAS:

Difusores cuadrados perforados portafiltro, para falso techo, dim. 595x595 del marco externo.

## ESTRUCTURA:

Bastidor de aluminio, chapa perforada de acero barnizado blanco RAL 9010

## USO:

En techo, para retorno.  
Altura de instalación:  
2,5-4,0 m

## FIJACIÓN:

Clips (tornillos frontales a petición).

## ACCESORIOS:

Plénium de acero galvanizado estándar o aislado, con o sin chapa equalizadora.

## CHARACTERISTICS:

Perforated face square diffusers predisposed for filter insertion, for false ceiling, 595x595 mm overall size.

## CONSTRUCTION:

Frame in aluminium, perforated sheet steel painted white RAL 9010.

## UTILIZATION:

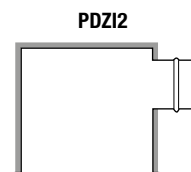
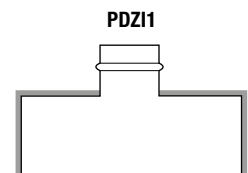
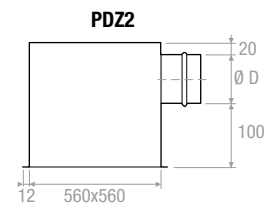
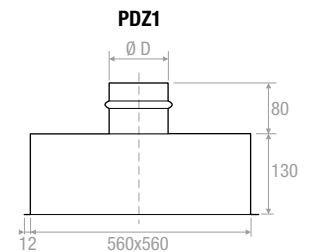
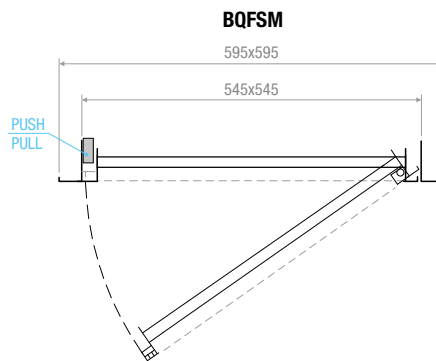
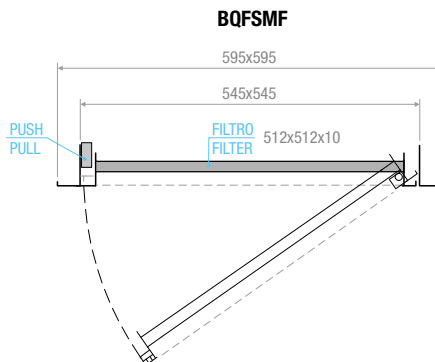
For ceiling installation for air return.  
Installation height: 2,5-4,0 m

## FIXING:

Clips (frontal screws on request).

## ACCESSORIES:

Galvanized steel plenum, standard or insulated, with or without equalizer sheet.



Plénium aislado externamente espesor 6 mm  
Plenum externally insulated thickness 6 mm

TABLA DE SELECCIÓN - SELECTION TABLE

Modelo - Model	A <sub>v</sub> [m <sup>2</sup> ]	Q [m <sup>3</sup> /h]		L <sub>wa</sub> [dB(A)]		X <sub>0,25</sub> -Y <sub>0,25</sub> [m]		Dpt [Pa]	
		min	max	min	max	min	max	min	max
<b>BQFSM</b>	0,1239	380	1080	37	63	3,5	7,9	10	50
<b>BQFSMF</b>	0,1239	380	1080	< 20	47	-	-	20	70

DIBUJOS - DRAWINGS

